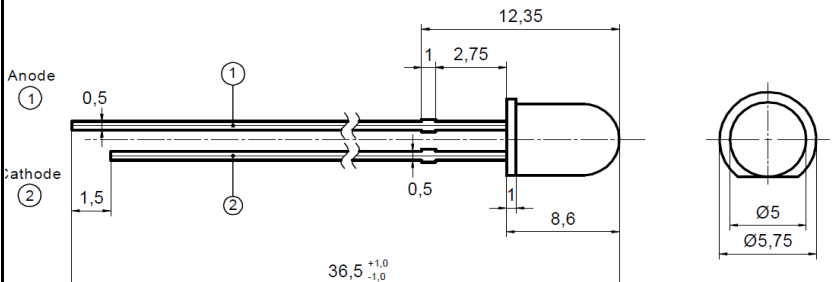


Data sheet

Infrared LED

EOLD-720-524

Radiation	Type	Case
Infrared	AlGaAs, DDH	5 mm plastic lens

Description:	
	High-power, high-speed infrared LED in standard 5 mm package, with lens for narrow beam focusing, housing without standoff leads

Maximum Ratings

T_{amb} = 25°C, unless otherwise specified

Parameter	Test Conditions	Symbol	Value	Unit
Forward current		I _F	50	mA
Peak forward current	t _p ≤ 50 μs, t _p / T = 1/2	I _{FM}	100	mA
Operating temperature range		T _{amb}	-20 to +80	°C
Storage temperature range		T _{stg}	-40 to +100	°C
Lead soldering temperature	t < 5 s, 3 mm from case	T _{slg}	260	°C

Optical and Electrical Characteristics

T_{amb} = 25°C, unless otherwise specified

Parameter	Symbol	Conditions	Min	Typ	Max	Unit
Forward voltage	V _F	I _F = 50 mA		2	2.4	V
Reverse voltage	V _R	I _R = 10 μA	5			V
Radiant power	Φ _e	I _F = 50 mA	8	10		mW
Radiant intensity	I _e	I _F = 50 mA	40	70		mW/sr
Peak wavelength	λ _p	I _F = 50 mA	710	720	730	nm
FWHM	Δλ _{0,5}	I _F = 50 mA		30		nm
Viewing angle	φ	I _F = 50 mA		20		deg.
Switching time	t _r , t _f	I _F = 50 mA		40		ns



EPIGAP Optronik GmbH

Koepenicker Str. 325b
D-12555 Berlin
Fon: +49 (0)30 657637 60
Fax: +49 (0)30 657637 70
sales@epigap-optronic.de

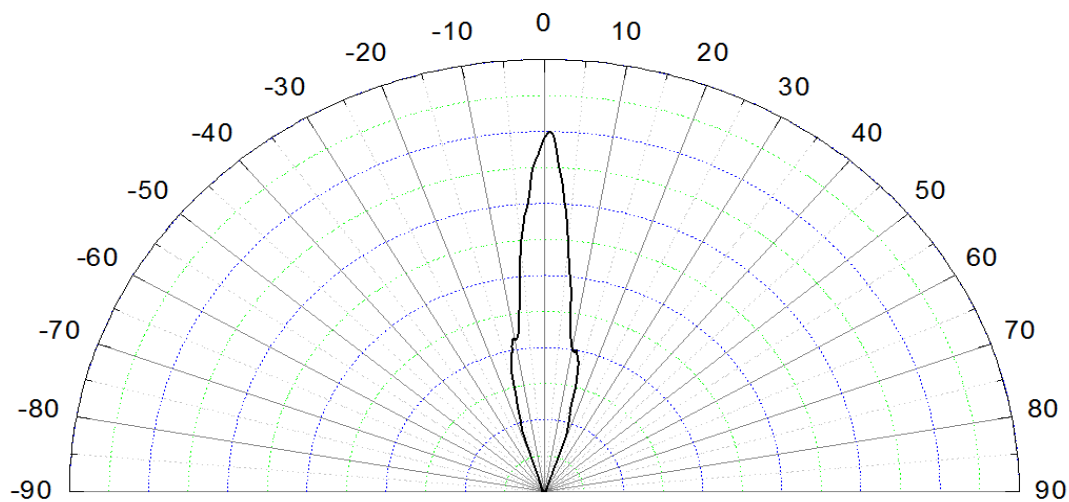


Data sheet

Infrared LED

EOLD-720-524

Page 2 of 2
Rev. 04, 2017



Typical radiation pattern

Art. No. 430 067



We reserve the right to make changes to improve technical design and may do so without further notice. Parameters can vary in different applications. All operating parameters must be validated for each customer application by the customer.