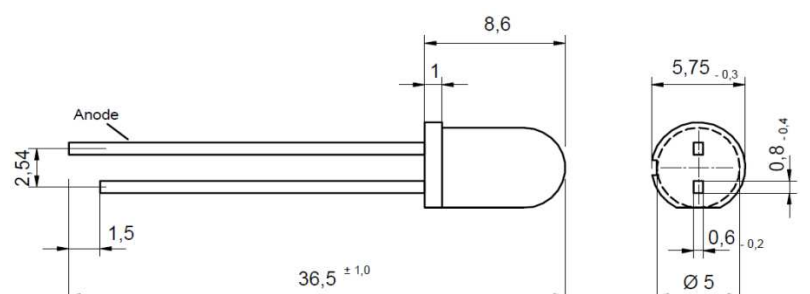


**Data sheet**

**Infrared LED**

**EOLD-1050-525**

Radiation	Type	Case
Infrared	InGaAs, MQW	5 mm plastic lens

Description:	
	<p>High-power, high-speed infrared LED in standard 5 mm package, housing without standoff leads</p> <p>For optical communications, safety equipment and automation</p> <p>All dimensions in mm</p>

**Maximum Ratings**

T<sub>amb</sub>= 25°C, unless otherwise specified

Parameter	Test Conditions	Symbol	Value	Unit
Forward current		I <sub>F</sub>	100	mA
Peak forward current	t <sub>p</sub> ≤ 50 μs, t <sub>p</sub> / T = 1/2	I <sub>FM</sub>	200	mA
Power dissipation		P <sub>D</sub>	150	mW
Operating temperature range		T <sub>amb</sub>	-20 to +80	°C
Storage temperature range		T <sub>stg</sub>	-55 to +85	°C
Lead soldering temperature	t < 5 s, 3 mm from case	T <sub>slg</sub>	260	°C

**Optical and Electrical Characteristics**

T<sub>amb</sub>= 25°C, unless otherwise specified

Parameter	Symbol	Conditions	Min	Typ	Max	Unit
Forward voltage	V <sub>F</sub>	I <sub>F</sub> = 20 mA		1.15	1.4	V
Forward voltage	V <sub>F</sub>	I <sub>F</sub> = 50 mA		1.20	1.45	V
Forward voltage	V <sub>F</sub>	I <sub>F</sub> = 100 mA		1.25	1.5	V
Reverse voltage	V <sub>R</sub>	I <sub>R</sub> = 10 μA	5			V
Radiant power	Φ <sub>e</sub>	I <sub>F</sub> = 20 mA		6.5		mW
Radiant power	Φ <sub>e</sub>	I <sub>F</sub> = 50 mA		15		mW
Radiant power	Φ <sub>e</sub>	I <sub>F</sub> = 100 mA		25		mW
Peak wavelength	λ <sub>p</sub>	I <sub>F</sub> = 20 mA	1030	1050	1070	nm
Peak wavelength	λ <sub>p</sub>	I <sub>F</sub> = 100 mA		1050	1080	nm
FWHM	Δλ <sub>0,5</sub>	I <sub>F</sub> = 20 mA		40		nm
FWHM	Δλ <sub>0,5</sub>	I <sub>F</sub> = 50 mA		50		nm
FWHM	Δλ <sub>0,5</sub>	I <sub>F</sub> = 100 mA		60		nm
Viewing angle	φ	I <sub>F</sub> = 20 mA		20		deg.
Switching time	t <sub>r</sub> , t <sub>f</sub>	I <sub>F</sub> = 20 mA		20		ns



# EPIGAP Optronic GmbH

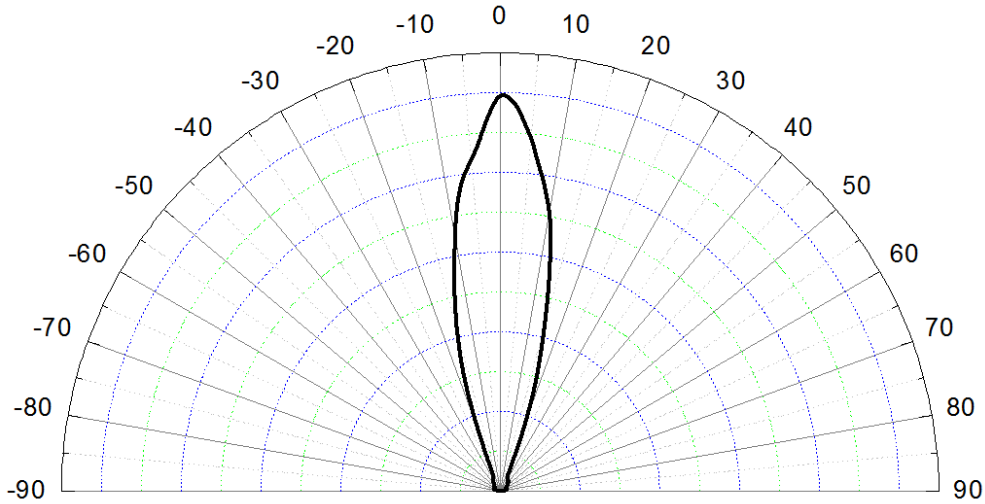
Koepenicker Str. 325  
D-12555 Berlin  
Fon: +49 (0)30 657637 60  
Fax: +49 (0)30 657637 70  
sales@epigap-optronic.de



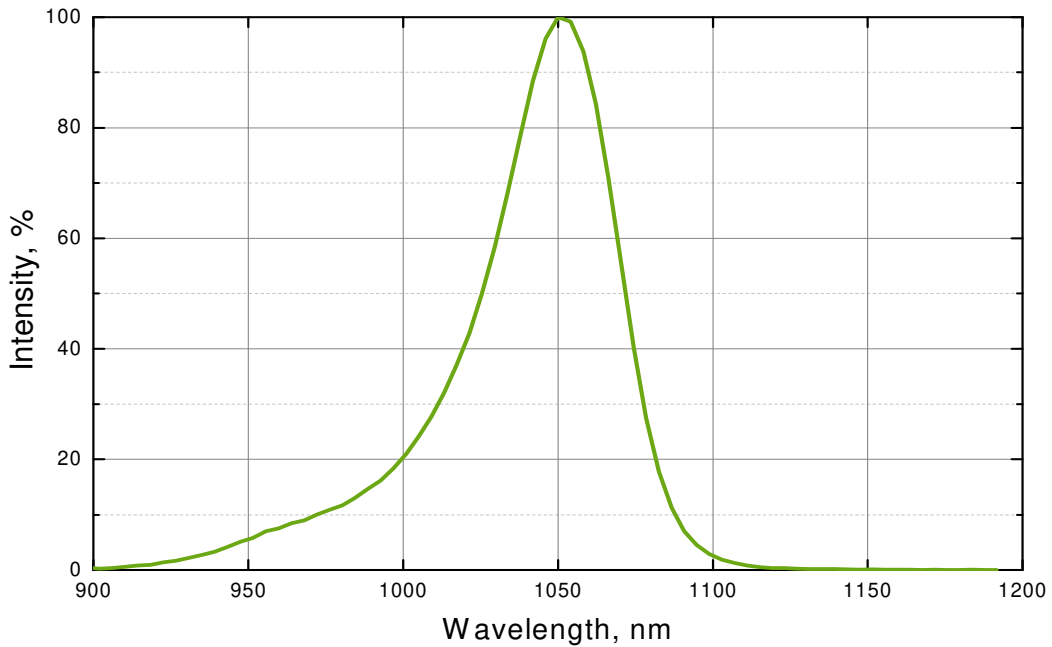
## Data sheet

### Infrared LED

### EOLD-1050-525



Typical radiation pattern



Typical spectrum at 20 mA

Art. No. 430 060



We reserve the right to make changes to improve technical design and may do so without further notice. Parameters can vary in different applications. All operating parameters must be validated for each customer application by the customer.